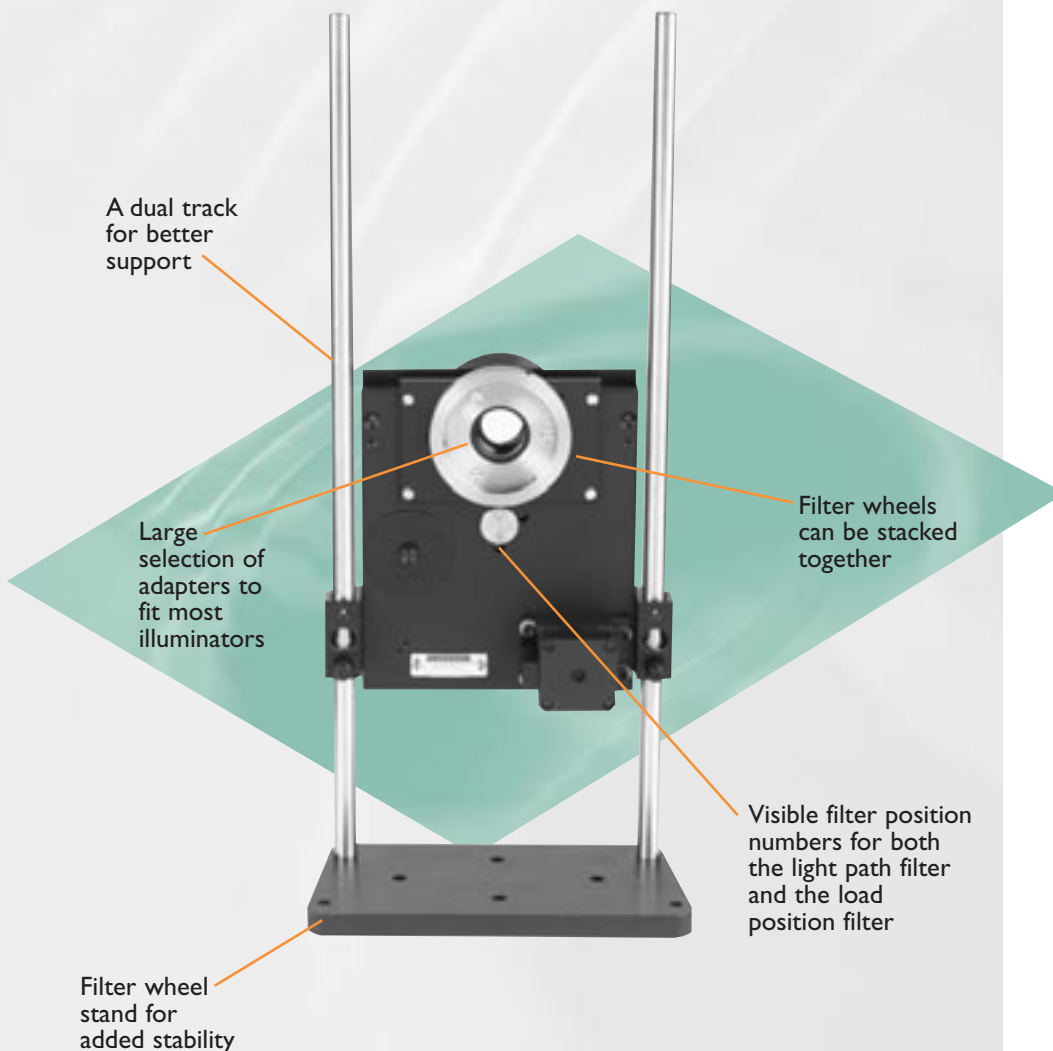


# Motorized Filter Wheels

**PRIOR**  
Scientific

## High-Speed Filter Wheel System

### Features



The Prior Scientific Filter Wheel System can be provided as a stand alone unit with either the OptiScan or ProScan Controller or used in conjunction with the ProScan or OptiScan Stage and Focus Systems.

Features of the Filter Wheel System include:

- The ability to mount on the illumination or emission side of the microscope
- Available for 25mm (10 position) or 32mm (8 position) filters
- A large selection of adapters to fit most illuminators
- Filter wheel position and shutter status are controlled via either RS232 or an optional keypad
- Filter Wheels can be stacked together in series
- Magnetic covers over the filter load position on both sides of the Filter Wheel for easy access to change filters
- Visible filter position numbers for both the light path filter and the load position filter
- Filter Wheel Stand for added stability
- Optional Dual Slide in Neutral Density Filter Holder

Prior stages have an established reputation for quality and reliability. They are manufactured using high-quality components. For the Filter Wheel system and all its products, Prior provides support and service through an extensive network of knowledgeable, professional dealers.

## General Specifications\*

### Filter Wheels

10 position, 25mm filters  
8 position, 32mm filters

### Filter Wheel Speed

55ms between adjacent positions  
(120ms for OptiScan)

### Filter Wheel Weight

3.2 kg (7 lbs)

### Controller

Driven via ProScan or OptiScan  
Controller

### External Control

Optional Filter Wheel Keypad

\*Specifications subject to change  
without notice

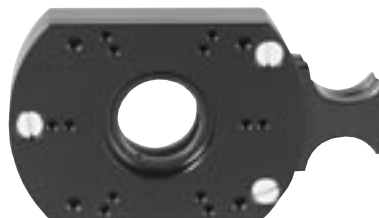
### Dimensions:

'A' Maximum on stand 540mm  
'A' Minimum on stand 34mm  
'A' Minimum off stand 28mm  
'B' for HF110 - 141mm  
'B' for HF108 - 159mm  
'C' for HF110 - 179mm  
'C' for HF108 - 195mm



## High Speed Shutters

The high speed shutter has a 40 Hz. maximum frequency of operation. The shutter can be opened and closed completely in as little as 10 ms.



## Ordering Information

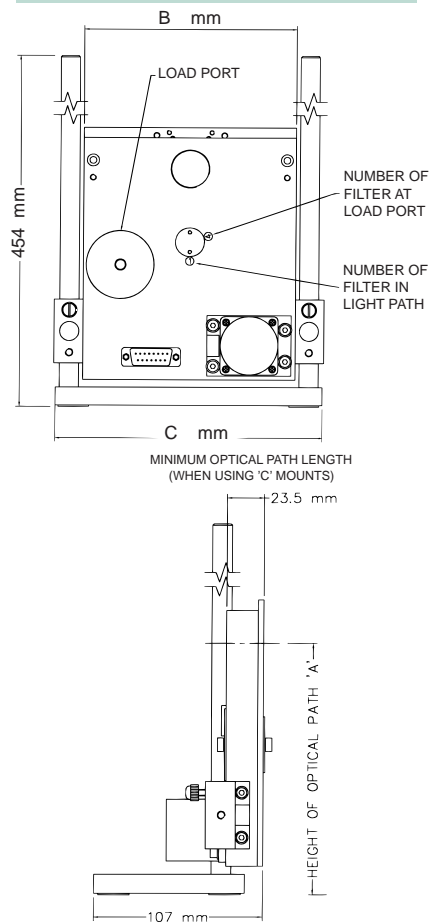
500-HF110 Filter wheel 10 pos./25mm  
500-HF108 Filter wheel 8 pos./32mm  
500-CS100K Keypad for manual control of filter wheels and shutters  
500-HF200 Shutter, 25mm, mounted to HF110  
500-HF201 Shutter, 32mm, mounted to HF108  
500-HF202 Shutter, 25mm, stand alone  
500-HF204 Shutter, 32mm, stand alone  
500-HF205 Dual slide in filter holder 25mm

## Filter Wheel Keypad

The optional filter wheel keypad allows the user to easily select any filter position from either one or two filter wheels. This is done by simply selecting the appropriate filter position key.

## Dual Slide-In Filter Holder

The dual slide-in filter holder mounts to the filter wheel and holds two neutral density or IR filters.



500-HF206

### Adapters

500-HF210  
500-HF215  
500-HF220  
500-HF230  
500-HF235  
500-HF240  
500-HF245

Dual slide in filter holder 32mm

For Leica pre DM series  
For Leica DM series  
For Nikon Eclipse series  
For Olympus BH series  
For Olympus BX, IX & Ax series  
For Zeiss Axio series  
For Zeiss pre Axio series

# PRIOR

Scientific

PRIOR SCIENTIFIC INSTRUMENTS LIMITED,  
UNIT 4, WILBRAHAM ROAD, FULBOURN, CAMBRIDGE CB1 5ET  
TELEPHONE 01223 881711 FAX 01223 881710

PRIOR SCIENTIFIC INC.,  
80 RESERVOIR PARK DRIVE, ROCKLAND, MA 02370-1062  
TELEPHONE 781-878-8442 FAX 781-878-8736

VISIT PRIOR ON THE WEB AT <http://www.prior.com>